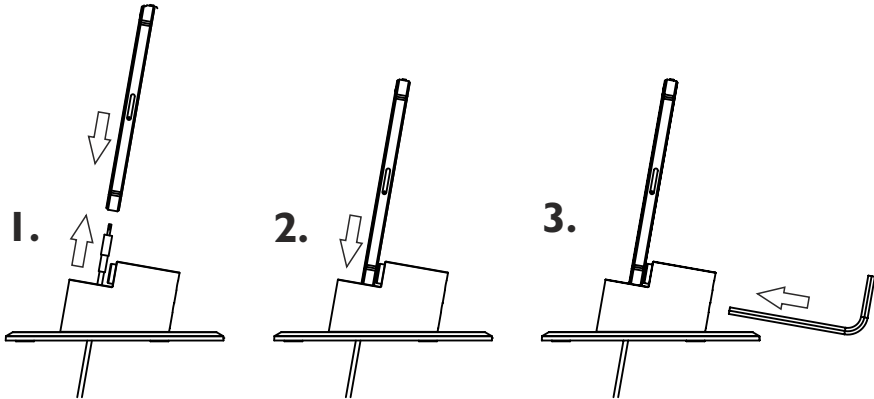




dock

Setup and use.



1. Pull the cable through the dock and connect to the phone / tablet.
2. Place the phone / tablet in the dock.
3. Attach the plug by tightening the lower screw on the back of the dock. NB! Tighten the screw gently so that you do not damage the plug.
4. Adjust the backrest by adjusting the top screw on the back of the dock.
5. Remove the phone / tablet from the dock and turn the bottom up onto the dock.
6. Squeeze the cable into the cable holders at the bottom of the dock.
7. Place the dock on a flat surface and connect the charger.

Use only original Apple cables for iPhone and iPad
Use only the supplied Micro USB cable for USB devices.

Make sure your phone / tablet is fully in place before you release it.
It is the plug that holds the phone / tablet.

Never tilt the phone / tablet forward when picking it up from the dock, as this may damage the plug.

www.aluminimo.com